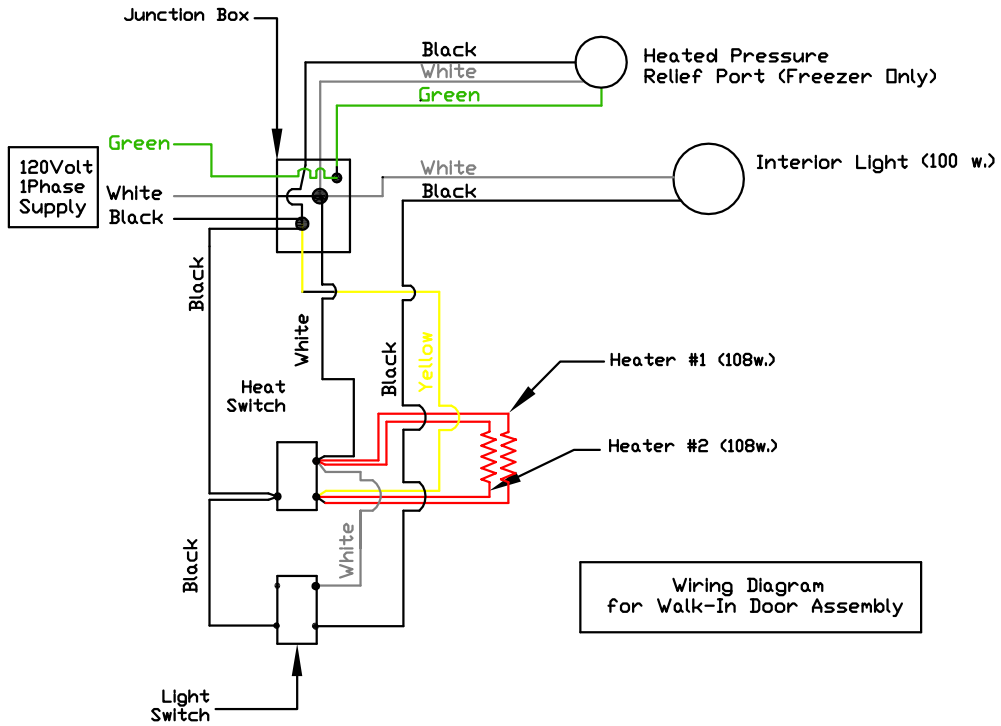


# Southern Stainless Equipment



Wiring Diagram  
for Walk-In Door Assembly

## ELECTRICAL REQUIREMENTS

COOLER: 120v 1 ph  
 1 HEATER-108 WATT  
 1 LIGHT -100 WATT  
 -----  
 TOTAL 208 WATT  
 1.73 AMP.

FREEZER 120V 1PH  
 2 HEATERS 216 WATT  
 1 LIGHT 100 WATT  
 1 RELIEF PORT 23 WATT  
 -----  
 TOTAL 339 WATT  
 2.92 AMP.

NOTE: YELLOW CONNECTS TO  
 BLACK FROM HEATED  
 RELIEF PORT